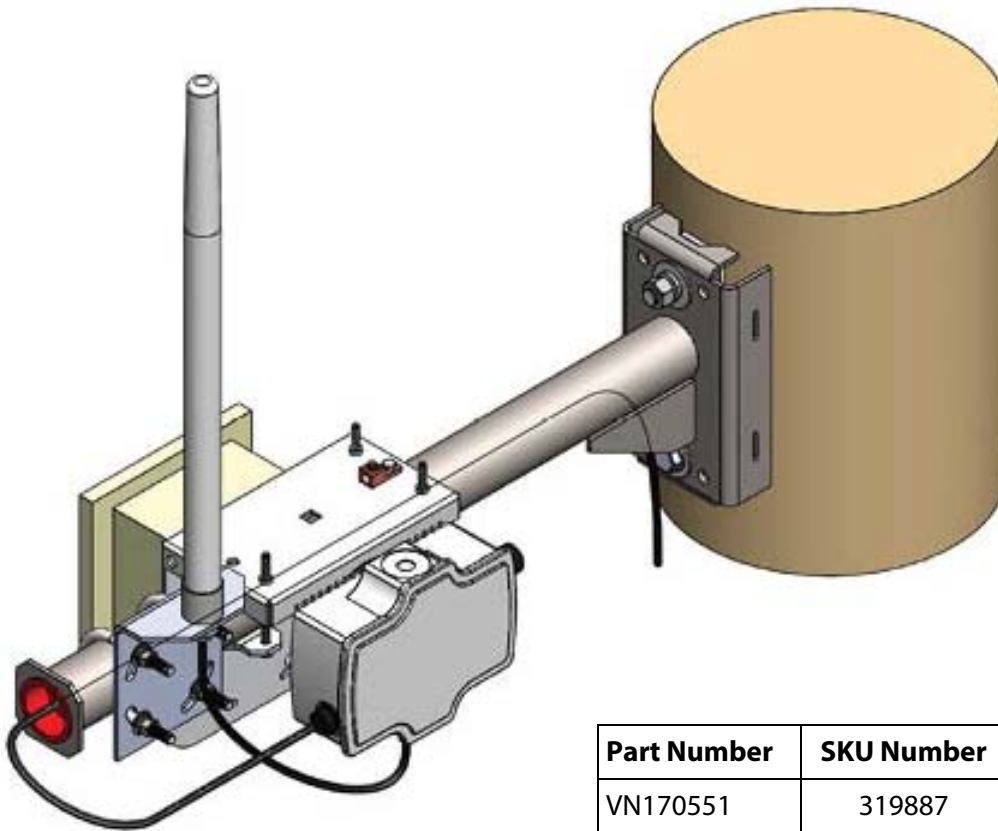


Extension Bracket

Engineered for, and field tested by major utilities, Ventev's heavy-duty Extension Bracket supports robust product configurations while maintaining a small footprint on utility poles. Can be used with Ventev's Saddle Bracket to maximize versatility. The extension mount bolts securely to the telephone pole and offers up to a 30 inch stand off. Constructed of galvanized steel, the mount is designed to withstand harsh environments. Mounting hardware is included; see complete list on page 2. *Every Ventev product is covered by the company's three-year warranty program. For more information, contact a regional sales executive at 800-851-4965 or sales@ventev.com, or visit www.ventev.com/infra*



Extension Bracket with Ventev Saddle Bracket and radio.

Part Number	SKU Number	Description
VN170551	319887	Extension Bracket

Extension Bracket

MOUNTING HARDWARE COMPONENTS		
Item No.	Description	Quantity
1.1	30" Slotted Pole Assembly	1
1.2	Antenna Bracket	1
1.3	U-Bolt 2-3/8 Pipe with Flat and Lock Washer and Nut	2
2	1/4 Flat Washer, 18 - 8	1
3	1/4 Split Lock Washer	1
4	1/4 Hex Nut 18 - 8	1
5	Pipe Clamp	2
6	Pipe Plug	2
7	Threaded Rod	1
8	5/8 - 11 Hex Nut	3
9	5/8 Square Washer	2
10	5/8 Flat Washer	2
11	5/8 Split Lock Washer	3
12	5/8 x 5 Lag Bolt	1

